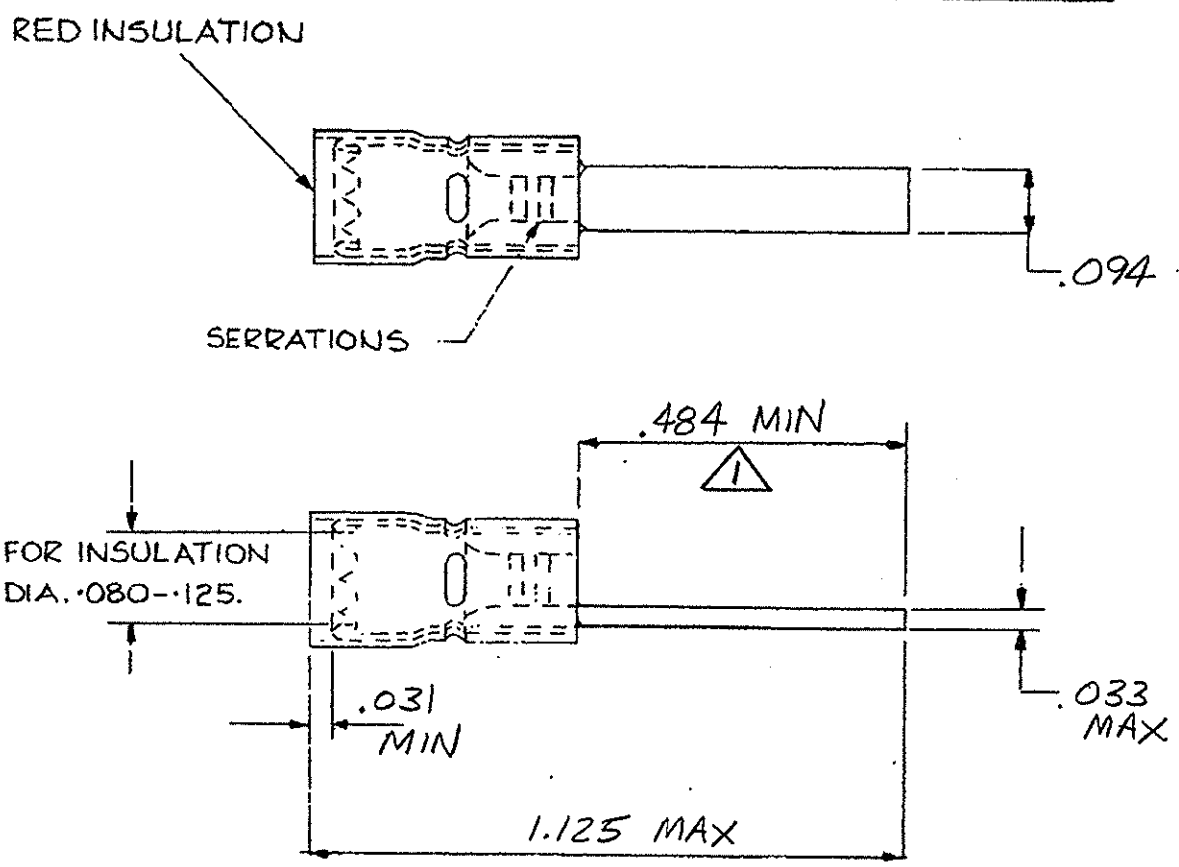


NUMBER 150730

© AIRCRAFT-MARINE PRODUCTS (G.B.) LTD. 1963

⚠ FROM EDGE OF METAL WIRE BBL TO END OF TONGUE

CUSTOMER COPY
FOR REF ONLY



DIMENSIONS IN INCHES DO NOT SCALE PRINT

PRINT DIST	MATERIAL COPPER		HEAT TREAT ANNEALED		COATING OR PLATING ELECTRO-TIN	
	UNLESS OTHERWISE SPECIFIED FRACTIONS = 1/64 DECIMALS 000 = ± .0005-008					
	FIRST USED		WIRE RANGE 22-16		CLASS TAB	
	P.P.P.		AREA		TYPE P.I.D.G.	
DR B.A. SMITH		LC A		NO C.150730		
CHK <i>[Signature]</i>		APP <i>[Signature]</i>		DATE 5.6.63		
LTR A		REVISION RECORD REV PER 063A-0002-04		NAME WIRE TERMINAL		
ECA		DATE		REL		